

# B branded schools

Transforming Academic Places



[www.brandedschools.com](http://www.brandedschools.com)

# Full Design, Build & Fit-out Service for Schools, Colleges & Universities

**Brandedschools.com**  
**01225 300747**

**OLDFIELD SCHOOL - BATH** - Sixth Form Common Room



# Contents

- 2..... Case Study – Oldfield School
- 4..... Case Study – Freshford School
- 6..... Case Study – Moorlands School
- 8..... Our Services
- 9..... Air Conditioning
- 10..... Building & Construction
- 12..... Carpets & Flooring
- 14..... Gallery
- 16..... Design & Landscaping
- 17..... Facilities Management
- 18..... Interiors & Furniture
- 20..... Electrical & Lighting
- 22..... IT Systems & Data
- 23..... Security & Safeguarding
- 24..... Painting & Decorating
- 26..... Plumbing & Heating
- 28..... Recycling & Environmental

## Welcome

Branded Schools is a Bath-based company established in 2018 to provide the education sector with a comprehensive design, construction and fit-out service.

The company works with numerous schools and colleges in the South West who benefit from a single supplier for all their refurbishment, construction and decorating requirements.

This brochure has been published to give an overview of the Branded Schools offering including three genuinely inspiring case studies relating to Oldfield and Moorlands schools in Bath, plus nearby Freshford.

We hope you enjoy the brochure and please do not hesitate to get in touch for more information, or to arrange an initial consultation.

**James Stone**  
Founder



# Case Study

Oldfield School - Bath



The ongoing refurbishment of Oldfield School in Bath remains one of our flagship projects and highlights the benefits of deploying a single contractor to manage long-term works. Over the past two years, Branded Schools has transformed various elements of the campus including numerous classrooms, the Sixth Form department, breakout areas, kitchen facilities and a stunning atrium complete with a magnificent glass dome.

A deep sense of trust has evolved between Oldfield's senior management team and ourselves as we share a common vision to create an inspiring academic environment for over 1200 pupils. The site combines modern structures and stately Victorian buildings both of which are being lovingly upgraded to embrace new space plans, IT infrastructures and contemporary furniture; all works are carried out to an agreed design scheme that cements the very brand identity of the organisation.

We are delighted to play a part in the evolution of Oldfield School and hope this Case Study illustrates the capabilities of Branded Schools.





**MODERN LANGUAGES** - Complete Refit & Decoration



**MUSIC ROOM** - Redesign, Fit-out & Decoration



**KITCHEN** - Installation



**ENGLISH CLASSROOM** - Furniture & Electrics



**COMMERCIAL KITCHEN** - Design & Build

# Case Study

Freshford Church School - Nr. Bath



*"James and his team at Branded Schools completed an exterior woodwork renovation and major exterior painting project for our school on a challenging schedule over the last few weeks of the 2018 summer break. A late request to upgrade all classroom and office lighting to LED tubes was responded to within 24 hours and the work completed within a couple of days.*

*The LEDs give a warm natural light and we anticipate reducing electricity lighting usage by 30% which improves the schools' sustainability; everyone has noticed and welcomed the subsequent transformation.*

*Throughout the project, the experienced Branded Schools team has been utterly responsive to our requirements and are both flexible and reliable; in short, they are a pleasure to work with."*

**Andrew Wishart**  
Headteacher

**Helen Lorraine**  
Business Manager





**BEFORE**



**DURING**



**AFTER**



**LED LIGHTING** - Complete Upgrade to Energy Saving LED Fittings



**EXTERNAL DOORS** - Full Repair & Decoration to all Exterior Windows & Doors

# Case Study

Moorlands Infants & Junior Schools - Bath



*"Branded Schools are helping us transform many areas of our school whilst maintaining a high level of safeguarding and security for pupils, staff and visitors alike. Working within the confines of the academic timetable, the company fitted double vision panels to all our junior classrooms during the summer of 2018. The project floods the classrooms with light and enables visitors to view classes in progress without disturbance; everyone involved with school loved the results!"*

*The Branded Schools team also fitted new carpet tiles to the junior and infants corridors which has transformed our school into such a warm and welcoming environment for children and staff.*

*We also commission James' sister company, Stones Security, to manage all our fire and intruder alarms as both businesses offer a friendly approach, plus quality workmanship and professional conduct. James and his team also understand how schools operate and the importance of completing projects to agreed timescales and budgets."*

Georgina Scott  
Headteacher

Matt Moore  
Facilities Manager

**Before**



**After**

**FLOORING** - New Carpet Throughout



# VISION PANELS



**INTERNAL**



**EXTERNAL**



**JUNIOR & INFANTS CORRIDORS** - New Carpet



**FIRE ALARM** - Install



**FIRE EXTINGUISHERS**



**ACCESS CONTROL**  
Main Entrance Door



**FIRE ALARM**  
Install

# Our Services



Air  
Conditioning



Building &  
Construction



Carpets  
& Flooring



Design &  
Landscaping



Interiors  
& Furniture



Electricals  
& Lighting



IT Systems  
& Data



Security &  
Safeguarding



Painting &  
Decorating



Plumbing  
& Heating



Facilities  
Management



Recycling &  
Environmental

# Air Conditioning



We provide a vast array of cutting-edge air conditioning systems to ensure comfortable working environments for schools and colleges no matter what the weather.

Branded Schools' team of qualified and DBS-checked engineers have the experience to both design, install and maintain highly efficient systems throughout all areas of the organisation including classrooms, staff and social areas, gyms and indoor sports zones, kitchens and dining rooms, plus reception areas and offices.

Fully integrated with a building's energy supply, our air conditioning service is proven to minimise utility costs whilst guaranteeing an optimum working temperature throughout the seasons. We can also include filtration units to remove dust, pollen and bacteria from the air thus enhancing the wellbeing of staff and pupils alike. Air conditioning technology now enables all buildings to be perfectly temperature controlled and filled with a constant stream of fresh air.

Please contact us for more information and examples of air conditioning projects completed by Branded Schools.



**CLASSROOM** - Air Conditioning

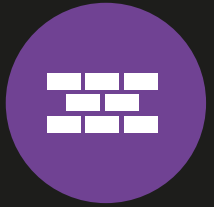


**ROOF CASSETTE** - Install



**GRADE II LISTED** - Install

# Building & Construction



**GYMNASIUM**  
High Level Repairs

It is impossible to document the variety and scale of Building & Construction services offered by Branded Schools, but suffice to say, we undertake projects of any size or description. These range from building new classrooms and outbuildings to refurbishing and upgrading existing facilities utilising the full suite of skills at our disposal. Holistic scheduling, integrated deployment of trades and company buying power dictate that clients benefit from rapid project completion, minimal operational disruption and significantly reduced costs.

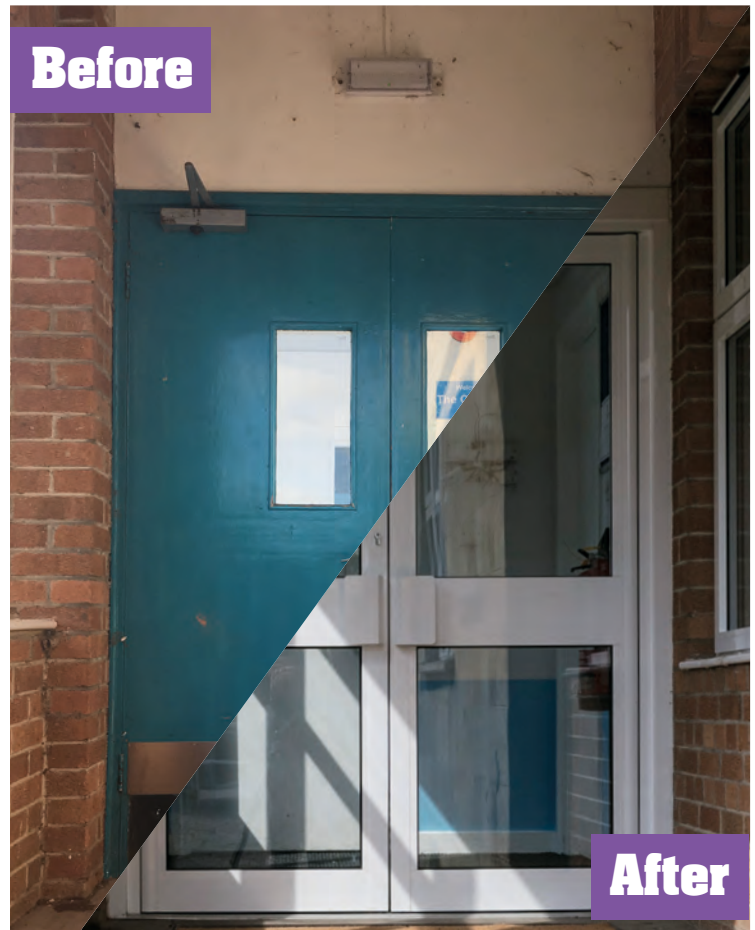
Inevitably, our Building & Construction service incorporates every imaginable type of trade drawn from Branded Schools' vast network of employees, sub-contractors and partner companies we work with. In short, no project is either too big or too small, so we welcome invitations to quote or tender for works of any scale.



**EXTERNAL** - Roof Repair



**SNACK SHACK** - Complete Build



**Before**

**After**

**EXTERNAL DOOR** - Installation

# STAFF KITCHEN



**BEFORE**



**AFTER**



**MATERIALS** - Delivery



**GROUNDWORKS** - Utilities Service Supply



**STAFF ROOM KITCHEN** - Refurbishment



# Carpets & Flooring

Heavy footfall throughout the year and the inevitable damage caused by frequent spillages dictate that specialist flooring products are chosen for the differing areas of schools and colleges. Thankfully, technological advancements ensure that there are a vast array of cutting-edge materials available ranging from durable carpets to acoustic-enhancing vinyl.

Branded Schools recognise the importance of selecting and installing appropriate flooring systems in any given zone and our recent work has encompassed reception areas, gyms, corridors, classrooms and dining areas. In addition to having the requisite experience to deliver quality flooring installations, we also offer a complementary consultancy service supported by free samples to guarantee the most appropriate product for any given project.



# ATRIUM FLOOR



**BEFORE**



**AFTER**



**CLASSROOM** - Durable Black Carpet Tiles



**BEFORE**

# SCHOOL CORRIDOR



**AFTER**









## CAR PARK BARRIER

Branded & Powder Coated

# Design & Landscaping

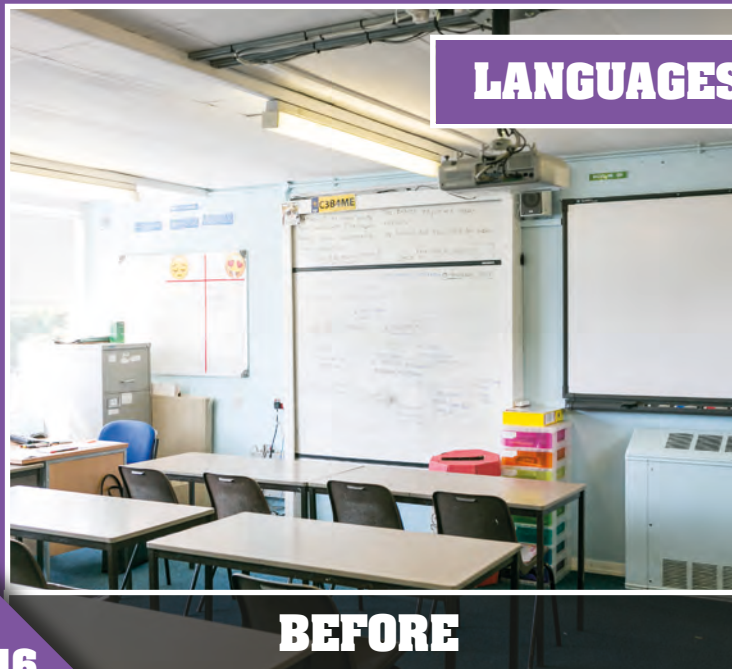


Design of all forms is a central facet of the Branded Schools' ethos and underpins our integrated approach to both internal and exterior works. Rather than just complete projects in isolation, we pride ourselves in adopting a long-term aesthetic approach to enhance the overall appearance of every location.

We love working in conjunction with architects, interior designers and facilities teams to ensure our work culminates in a visually enhanced academic environment for all. Recent internal and exterior projects vividly illustrate the benefit of this philosophy.



## GROUNDWORKS FOR EXTERNAL UTILITIES



**BEFORE**



**AFTER**

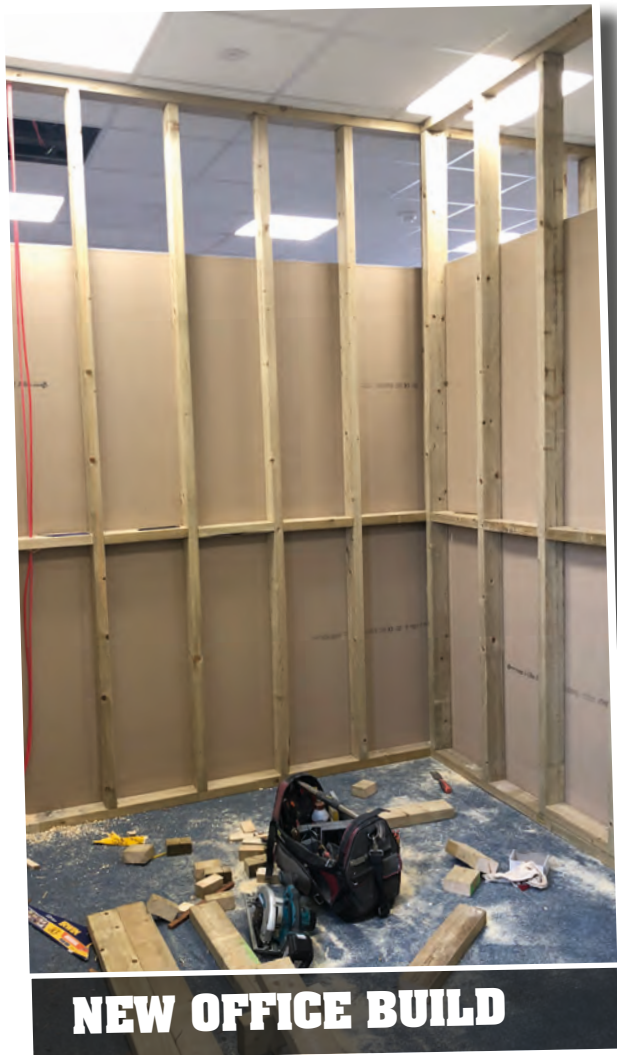
## LANGUAGES CLASSROOM



**RECYCLING** - Correct Disposal



**GUTTER REPAIRS & CLEAN**



**NEW OFFICE BUILD**

## Facilities Management



Branded Schools offer schools and colleges the option of a full-service facilities management contract whereby we pro-actively look after all aspects of an organisation's buildings and grounds. Undertaken on a retainer basis, these comprehensive arrangements have numerous benefits for both parties including 24/7 maintenance & support, strategic project and budget scheduling, plus integrated deployment of all trades.

Our approach has already helped many organisations complete large-scale projects both on time and within budget. This is primarily due to our role as a single point of contact and sole contractor through which all projects are carefully planned and meticulously executed. This model has proved invaluable in terms of synchronising tradespersons and suppliers, efficient use of all resources, minimising expenditure and eliminating any wastage.



# Interiors & Furniture

Perhaps one of the most exciting aspects of our work is creating contemporary interior spaces which truly inspire. Embracing modern design trends, cutting-edge tech and considered furniture choices culminate in stunning environments which encourage academic excellence and performance; it is genuinely thrilling to witness the positive impact on pupils, staff and parents after transforming a previously tired classroom or dilapidated reception area as illustrated by many of the projects featured in this brochure.

Often influenced by state-of-the-art office design, we passionately believe that schools and colleges should also benefit from stimulating décor, innovative lighting, ergonomic furniture and integrated IT. Thankfully, research has banished Victorian notions of rigid classroom design and anti-social segregated areas in favour of open plan layouts and break out areas to encourage creativity, collaboration and team work; these are the very same characteristics instilled into the DNA of Branded Schools.



**SIXTH FORM CAFE** - Podium Tables & Poseur Chairs



**DESKING & CHAIRS**



**SIXTH FORM** - Common Room



**STAFF** - Workstation



**IT SUITE** - Furniture & Desking



**CLASSROOM** - Ergonomic Furniture

# Electrical & Lighting



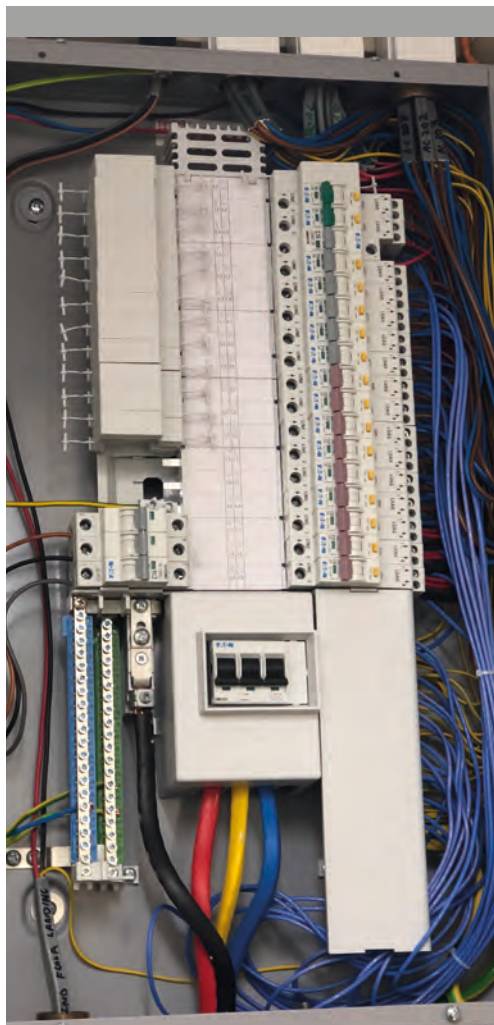
Our team of qualified and experienced electricians install a myriad of electrical systems to provide schools and colleges with fully compliant, energy efficient and above all, safe environments in which to study and work. All of our electricians are NICEIC and NAPIT certified and undertake regular refresher training courses to ensure they conform to all health and safety criteria including the Electricity at Work Regulations 1989.

We undertake projects of any size ranging from total rewiring projects to minor upgrades and conduct mandatory five-year testing schedules as standard. Implementing green energy strategies is an increasing element of our work and we are committed to minimising client's carbon footprint and utility bills. Adopting highly efficient LED lighting is integral to these aspirations as is the safe disposal of the antiquated systems being replaced.

**DESIGN & TECHNOLOGY** - Classroom



**ATRIUM AREA** - Track Lighting With Spot & Fixed LED Lights



**FUSE BOARD**



**SOLAR PANELS**



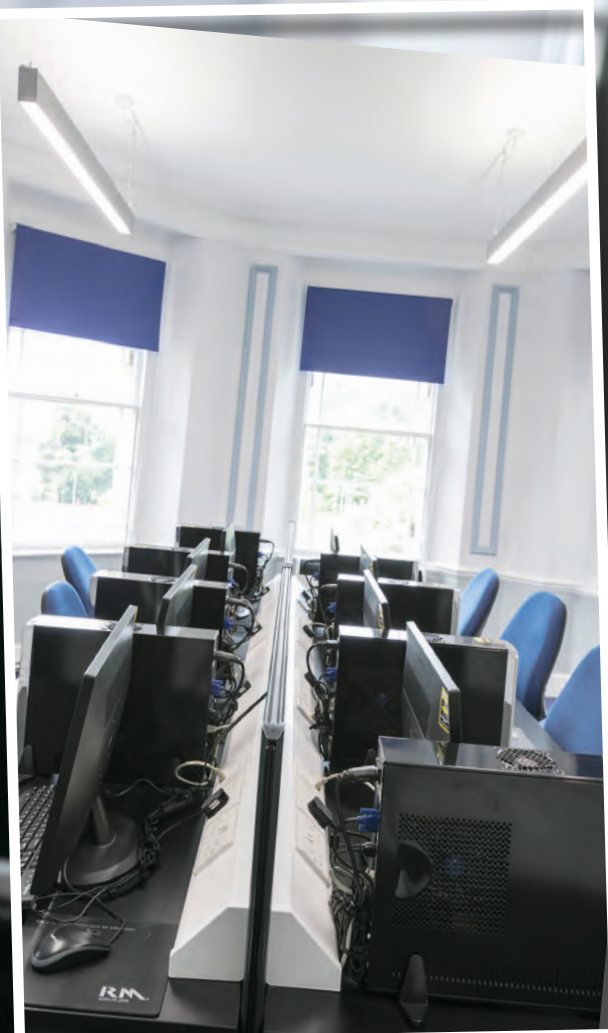
**PROJECTOR & SMART BOARD SYSTEM**

# IT Systems & Data



The tech revolution continues apace and equipping schools and colleges with the necessary infrastructure to embrace the so-called 'information age' represents a significant proportion of our work. We devise and install seamless and largely invisible cabling networks which power multi station IT suites, staff offices and visitor areas all supported by reliable wi-fi. We also install increasingly complex servers with robust security layers to protect vital data and minimise the risk of cyber breach.

The obvious educational benefits of smart boards, touch screens and voice activated networks demand that schools invest in long-term strategies which will empower all those engaged by the organisation. The aforementioned revolution is only destined to become ever faster and more sophisticated so choosing Branded Schools to devise a futureproof IT plan really is a smart move.



**IT SUITE** - Installation



**IT SERVER** - Set-up & Installation



**DATA CABINET** - Install



**Texecom**  
Premier

Stones Security  
13:36.28 Mon 03

Power ●

Info. ●

Ready ●

**INTRUDER ALARM** - Installation

**FIRE ALARM** - Detection

**CCTV** - HD System

# Security & Safeguarding



Back to where it all began over a decade ago when Stones Security was formed to provide high level security systems for both commercial and domestic clients in Bath and the surrounding areas. A loyal customer-base evolved and the company was repeatedly asked to broaden their range of services to assist with building and maintenance projects particularly within local schools which ultimately inspired the formation of the new company.

Needless to say, we have unrivalled experience in all facets of security including CCTV systems, intruder and fire alarms, electric gates, automated barriers and bollards, plus every conceivable video and audio door entry network. Safeguarding the welfare of staff and pupils is inherent within the Branded Schools philosophy as is a commitment to protecting the property itself.

Branded Schools is certified by the SSAIB and all of our work complies to their exacting standards.

**FIRE ALARM** - L3 Install



## Painting & Decorating



Meticulous preparation and almost obsessive attention to detail characterise the attitude of our painting and decorating team who pride themselves on delivering the highest possible quality of finish to any job. The team are also actively involved in the design process and enjoy contributing to the decision-making process with regards to colour, texture and products; their experience and insights often prove invaluable.

Rather than wax lyrical about the teams skills and abilities, take a look at the Before and After photographs in this section as they crystallize their workmanship and professionalism. Hard working and committed, they really do bring many Branded Schools projects to life.

# ATRIUM DECORATION



# Plumbing & Heating



Arguably not the most glamorous of trades but one that is absolutely integral to our work and carried out by a dedicated team of Gas Safe registered professionals. Many of our plumbing and heating projects are challenging in the extreme, but the team consistently deliver highly efficient systems which are crucial to any given schools infrastructure.

Be it internal or external, water supply, waste disposal and sanitation facilities are installed and managed to exacting standards as are energy saving heating systems fuelled by gas, electricity or oil. Environmentally-savvy and dedicated to reducing carbon emissions, the Plumbing & Heating team embrace the potential of new technologies and alternative energy sources that are transforming their world.





**WATER TANK** - Science Block



**EXTERNAL TAP** - Installation



**COMMERCIAL KITCHEN** - Services



**EXTERNAL BOILER FLUE** - Installation



**HEAT REGULATED VALVE** - Pupil Safety



# Recycling & Environmental

As a responsible contractor, Branded Schools has a genuine commitment to all aspects of recycling and sustainability. Waste from any given project is disposed of responsibly and ethically especially given the nature of some of the materials we are either removing or working with. We commission specialist recycling firms where necessary to dispose of separated hardcore, metal, fluorescent tubes, redundant lighting, wood and glass; all cardboard and plastic packaging is removed from sites immediately and taken to local commercial recycling centres.

We recommend discussing recycling options at the planning stage of any project and welcome conforming to our clients' specific requirements with regards to waste management, recycling and sustainability.



**WASTE** - Safe Disposal



**ELECTRICAL DISPOSAL**



**WINDOWS FOR RECYCLING**

A photograph of a modern office interior. In the foreground, there are several blue upholstered sofas arranged in a U-shape around two square glass coffee tables. In the background, there is a desk with three computer monitors and two office chairs. Large windows with white frames and blinds are visible on the left side of the room. The walls are white with blue decorative paneling. The ceiling has recessed lighting fixtures.

**Call us Today to  
Arrange an Initial  
Consultation & Free  
Estimate**

**Brandedschools.com  
01225 300747**



0 1 2 2 5 3 0 0 7 4 7



**IMI**

